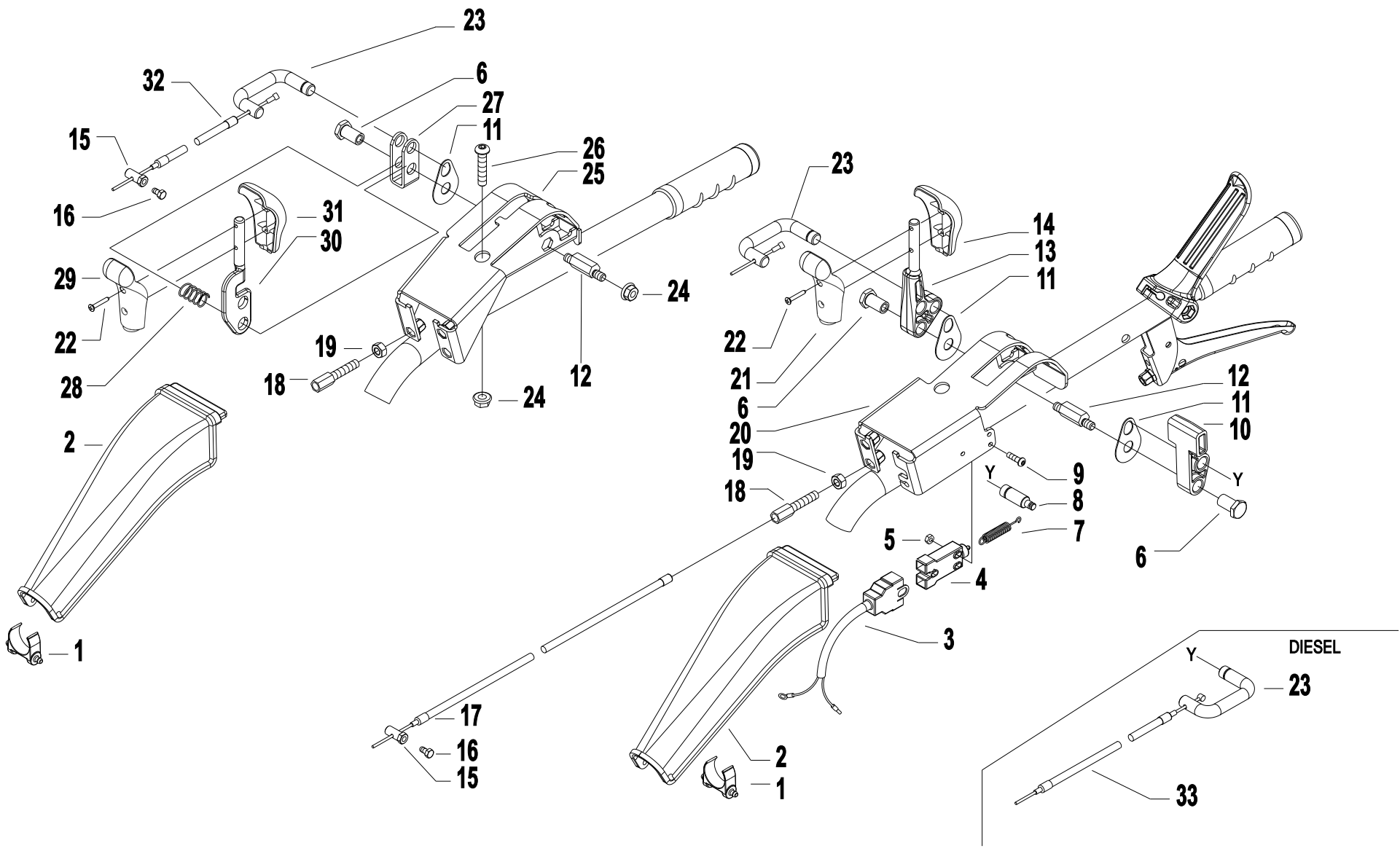
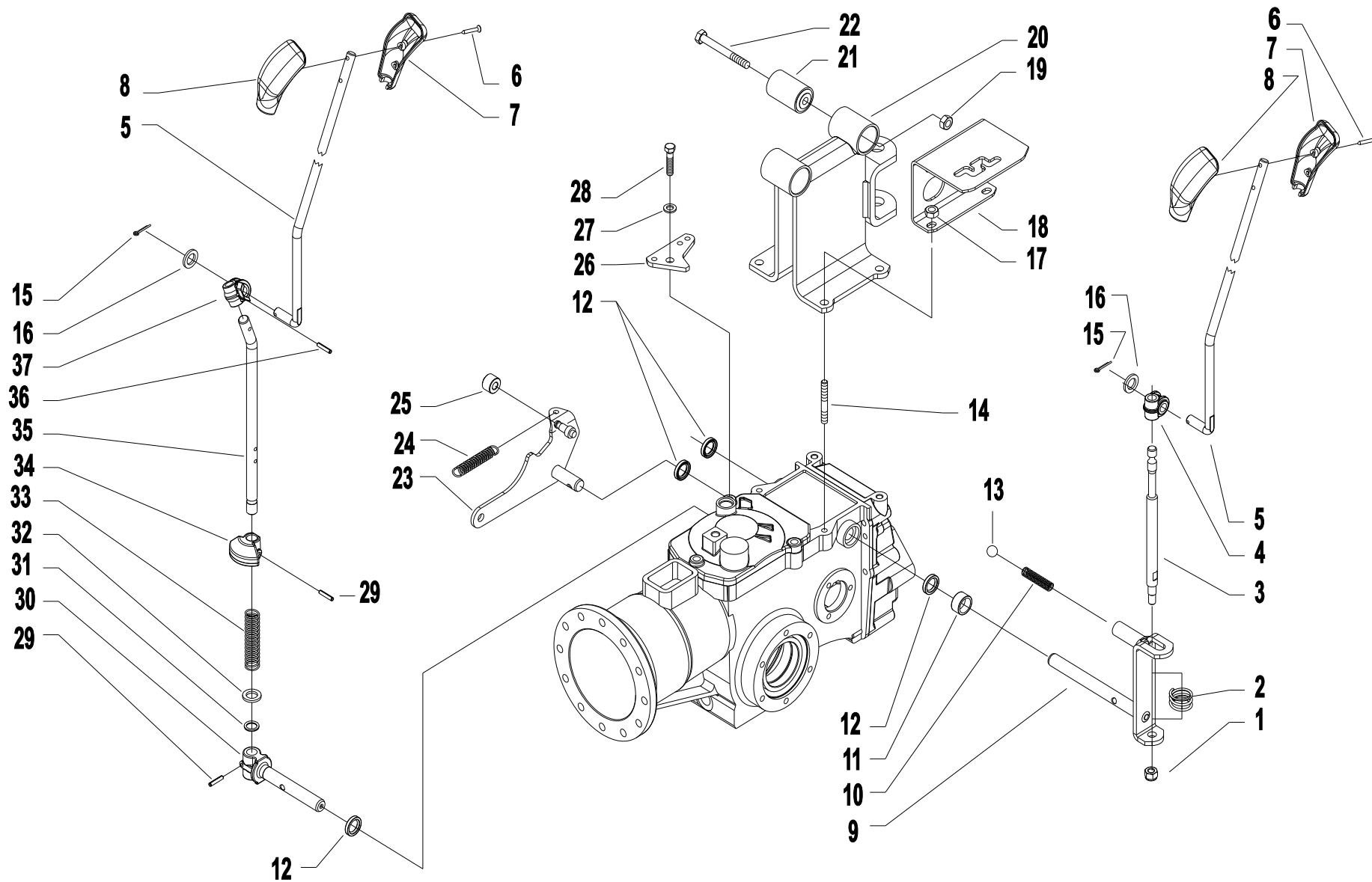


| Pos. | Code      | Q.ty | Description                   | Notes                             |
|------|-----------|------|-------------------------------|-----------------------------------|
| 1    | 31112154  | 1    | SCREW TE M8X40 UNI 5739 8G    |                                   |
| 2    | 31241084  | 1    | SELFLOCK NUT M8 6S            |                                   |
| 3    | 31241060  | 1    | SELFLOCK NUT M6               |                                   |
| 4    | 31112171  | 1    | SCREW TE C/F M8X16 DIN 6921   |                                   |
| 5    | 58057266  | 1    | HOLDER                        |                                   |
| 6    | 56156246N | 1    | TUNNEL CORTO                  |                                   |
| 7    | 31121008  | 1    | SCREW TBCEI M10X16 ISO 7380   |                                   |
| 8    | 58056991  | 1    | CABLE GLAND                   |                                   |
| 9    | 56157399  | 1    | HOLDER                        |                                   |
| 10   | 31112085  | 1    | SCREW TE M6X16 DIN 6921 8G    |                                   |
| 11   | 59056127H | 1    | BUMPER FOR 740                | For engine L70                    |
| 12   | 59053021H | 1    | BUMPER C.15LD-ACT-GX ALUM.    | For engines GX270/GX340           |
| 13   | 59053040H | 1    | PARAURTI COM.GX160-200 ALLUM. | Pour les moteurs GX160/GX200/EX21 |
| 14   | 31100451  | 1    | SCREW 3,5X25                  |                                   |
| 15   | 55257522  | 1    | HALF BEARING                  |                                   |
| 16   | 31510100  | 1    | RIBBED SCREW 6,3X19 UNI 6950  |                                   |
| 17   | 55252503  | 1    | FREGIO ANT.MC 2010 FERRARI    |                                   |
| 18   | 55252406  | 1    | GUARD                         |                                   |
| 19   | 55252405  | 1    | GUARD                         |                                   |



| Pos. | Code      | Q.ty | Description                    | Notes                   |
|------|-----------|------|--------------------------------|-------------------------|
| 12   | 56356858Z | 1    | PIN                            |                         |
| 1    | 55256836  | 1    | CROSS MEMBER                   |                         |
| 2    | 55256835  | 1    | GUSCIO                         |                         |
| 3    | 58056837  | 1    | WIRING                         |                         |
| 4    | 58048009  | 1    | SWITCH                         |                         |
| 5    | 31241042  | 1    | SELFLOCK NUT M4 FL.6S          |                         |
| 6    | 56148287  | 1    | STUD BOLT                      |                         |
| 7    | 58047712  | 1    | SPRING                         |                         |
| 8    | 56156834Z | 1    | INDEXING BOLT                  |                         |
| 9    | 31121024  | 1    | SCREW TBCEI FL.M4X25           |                         |
| 10   | 55256197  | 1    | LEVER                          |                         |
| 11   | 56356833Z | 1    | SMALL PLATE                    |                         |
| 13   | 53156860  | 1    | COMMAND LEVER                  |                         |
| 14   | 55157212  | 1    | GRIP                           |                         |
| 15   | 56356840Z | 1    | CLAMPING SCREW                 |                         |
| 16   | 31112090  | 1    | SCREW TE M6X16 UNI 5739 8G     |                         |
| 17   | 58056843  | 1    | LINE AND SHEATH                |                         |
| 18   | 58056595  | 1    | ADJUSTING SCREW                |                         |
| 19   | 31211080  | 1    | NUT M8                         |                         |
| 20   | 59256180  | 1    | SUPPORT                        |                         |
| 21   | 55157213  | 1    | GRIP                           |                         |
| 22   | 31100451  | 1    | SCREW 3,5X25                   |                         |
| 23   | 56156832Z | 1    | U BOLT                         |                         |
| 24   | 31241084  | 1    | SELFLOCK NUT M8 6S             |                         |
| 25   | 59256850  | 1    | SUPPORT                        |                         |
| 26   | 31121020  | 1    | VITE TBCEI M8X40 ISO7380 10K Z |                         |
| 27   | 56156859Z | 1    | FORK                           |                         |
| 28   | 58049830  | 1    | SPRING                         |                         |
| 29   | 55157215  | 1    | GRIP                           |                         |
| 30   | 52156810Z | 1    | COMMAND LEVER                  |                         |
| 31   | 55157214  | 1    | GRIP                           |                         |
| 32   | 58056848  | 1    | LINE AND SHEATH                |                         |
| 33   | 58049505  | 1    | LINE AND SHEATH                | For engines L70/15LD350 |



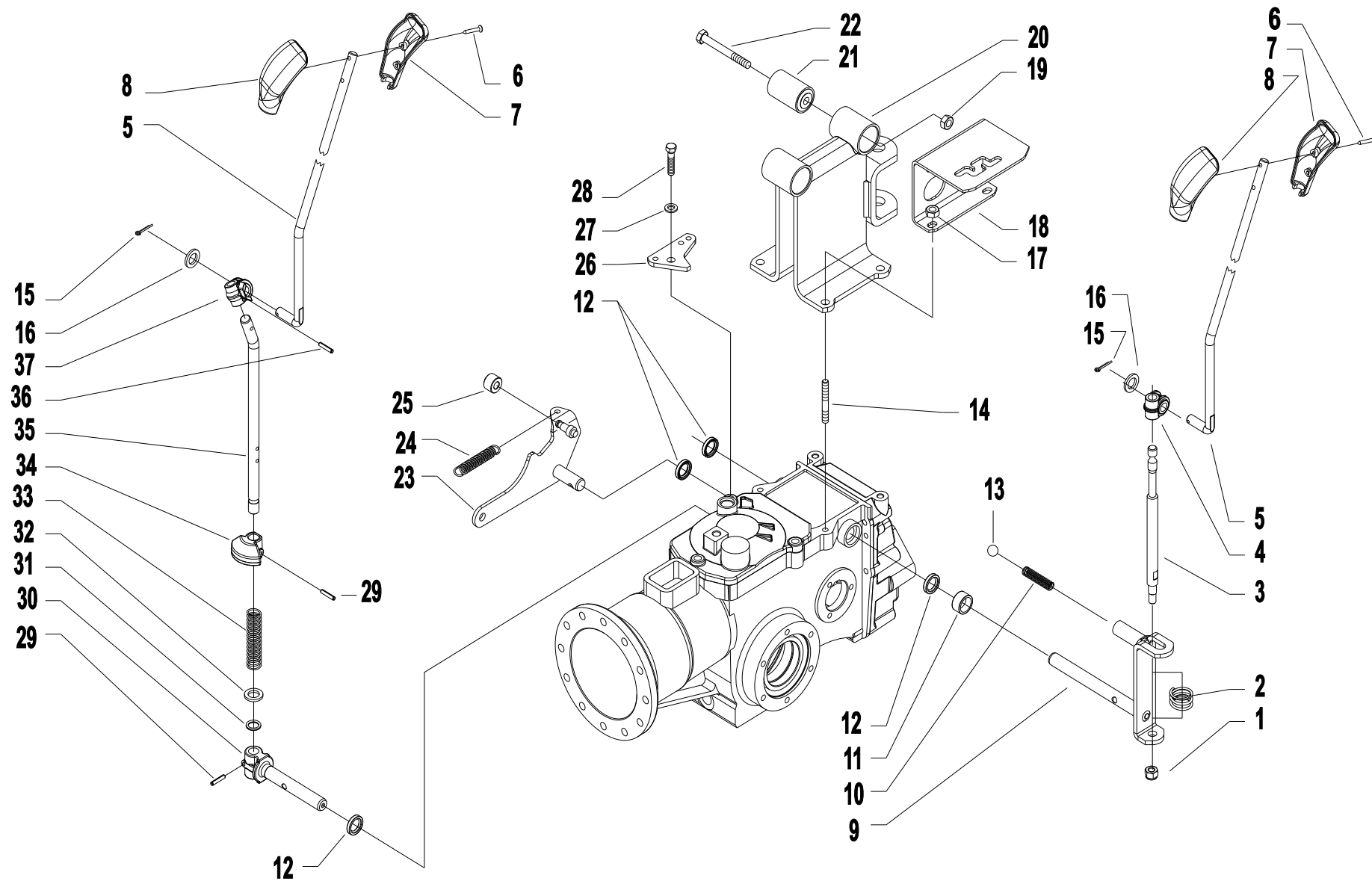
| Pos. | Code        | Q.ty | Description                 | Notes |
|------|-------------|------|-----------------------------|-------|
| 1    | 31241080    | 1    | SELFLOCK NUT M8             |       |
| 2    | 58057232Z   | 1    | SPRING                      |       |
| 3    | 56356738Z   | 1    | LEVA COMANDO CAMBIO 3C ZNT  |       |
| 4    | 55242528    | 1    | JOINT                       |       |
| 5    | 56156792N   | 1    | PULL ROD                    |       |
| 6    | 31100451    | 1    | SCREW 3,5X25                |       |
| 7    | 55157213    | 1    | GRIP                        |       |
| 8    | 55157212    | 1    | GRIP                        |       |
| 9    | 59056735N   | 1    | LEVA CAMBIO 3C C.TA         |       |
| 10   | 58043176    | 1    | SPRING                      |       |
| 11   | 56157257Z   | 1    | SPACER                      |       |
| 12   | 38211400    | 1    | OIL SEAL 14X22X4            |       |
| 13   | 37911532    | 1    | BALL 15/32                  |       |
| 14   | 31312082    | 1    | STUD BOLT M8X38X14X20       |       |
| 15   | 34110028    | 1    | SPLIT PIN                   |       |
| 16   | 31411104    | 1    | WASHER 10,5x18              |       |
| 17   | 31241084    | 1    | SELFLOCK NUT M8 6S          |       |
| 18   | 56156734H   | 1    | SELETTORE MARCE 3C          |       |
| 19   | 31241100    | 1    | SELFLOCK NUT M10 6S         |       |
| 20   | 59056920    | 1    | SUPPORT                     |       |
| 21   | 30010142    | 1    | SILENT-BLOCK 10,2X30X45X49  |       |
| 22   | 31111217    | 1    | SCREW TE M10X75 UNI 5737 8G |       |
| 23   | 59057319    | 1    | LEVER                       |       |
| 24   | 58057273    | 1    | SPRING                      |       |
| 25   | 55257313    | 1    | ROLLER                      |       |
| 26   | 56157274    | 1    | SQUARE                      |       |
| 27   | 31423084    | 1    | SPRING WASHER 8,4           |       |
| 28   | 31112152    | 1    | SCREW TE M8X30 UNI 5739 8G  |       |
| 29   | 34213020    | 1    | ROLL PIN                    |       |
| 30   | 52357250    | 1    | PIN                         |       |
| 31   | 38111191    | 1    | O-RING 115 (11,91X2,62)     |       |
| 32   | 31414130    | 1    | WASHER 13                   |       |
| 33   | F0831193010 | 1    | SPRING DM.15X70             |       |
| 34   | 55257321    | 1    | STOP                        |       |

SERIAL

**CONTROLS**

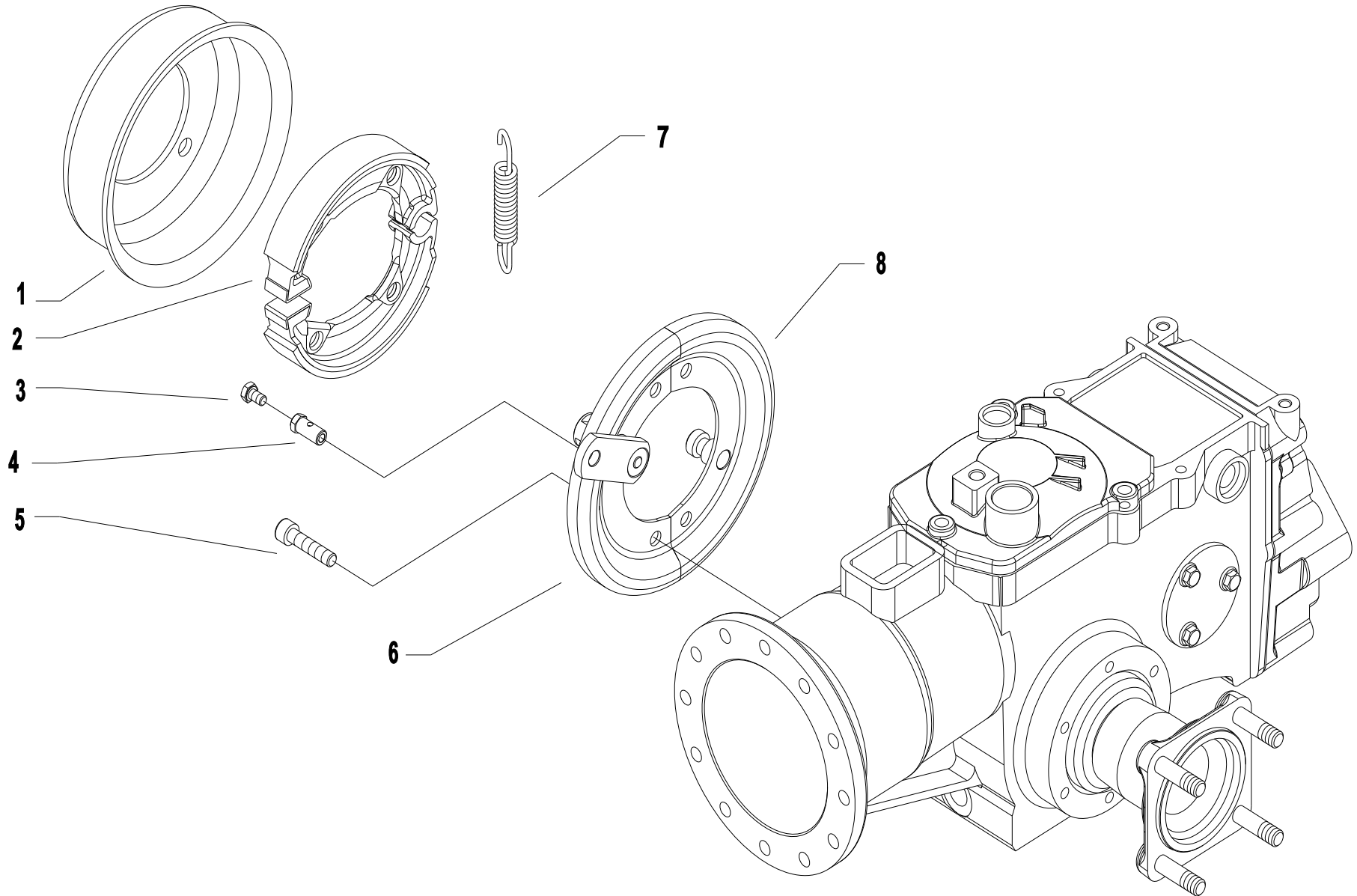
CODE REV

**M.04.01.A0003\_00**



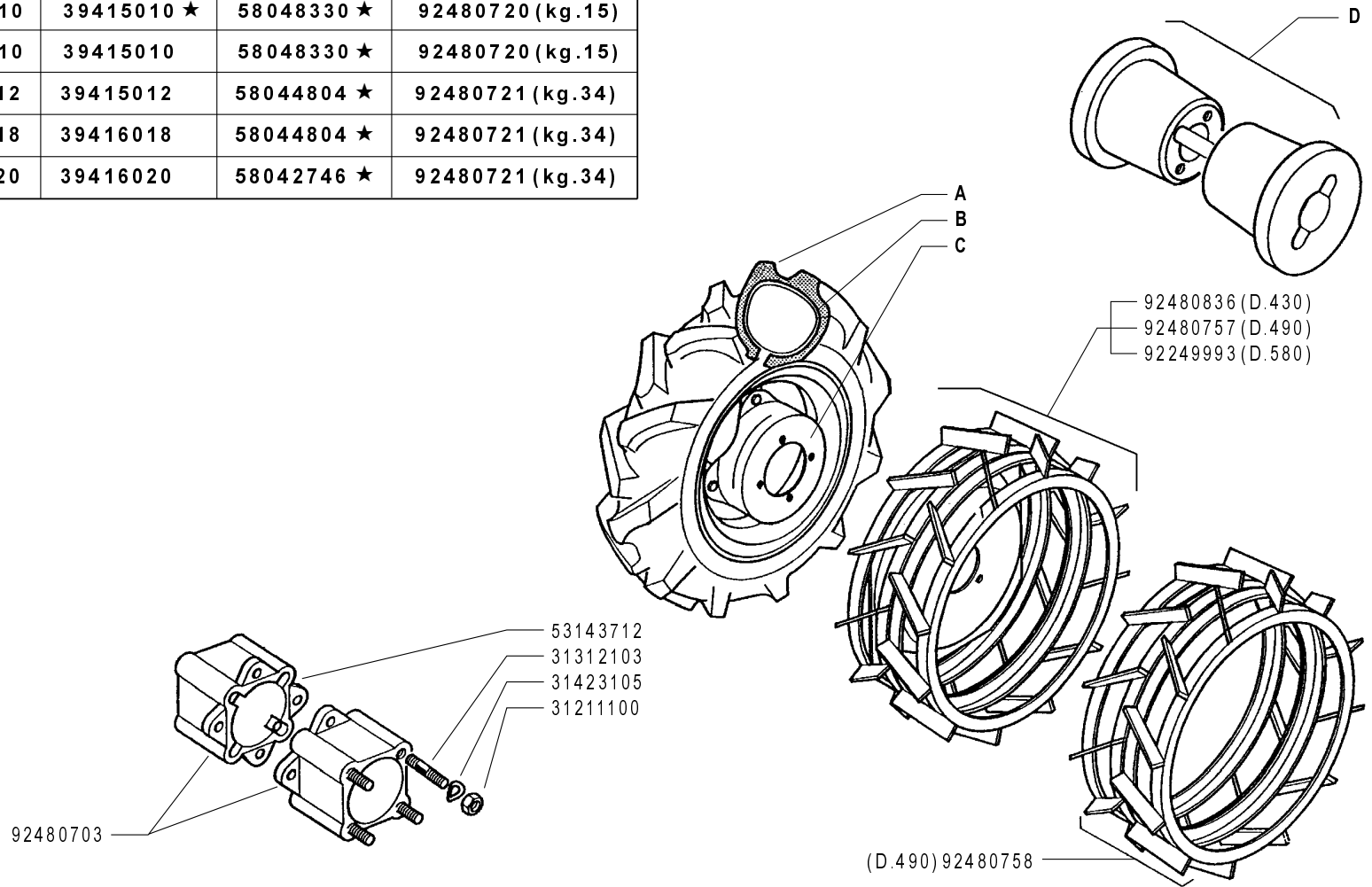
| Pos. | Code      | Q.ty | Description | Notes |
|------|-----------|------|-------------|-------|
| 35   | 56157324N | 1    | PTO LEVER   |       |
| 36   | 34213024  | 1    | ROLL PIN    |       |
| 37   | 55248379  | 1    | JOINT       |       |





| <b>Pos.</b> | <b>Code</b> | <b>Q.ty</b> | <b>Description</b>         | <b>Notes</b> |
|-------------|-------------|-------------|----------------------------|--------------|
| 1           | 56148218N   | 1           | BRAKE DRUM                 |              |
| 2           | 58048214    | 1           | BRAKE BLOCK                |              |
| 3           | 31112090    | 1           | SCREW TE M6X16 UNI 5739 8G |              |
| 4           | 56356840Z   | 1           | CLAMPING SCREW             |              |
| 5           | 31152085    | 1           | SCREW TCEI M8X25 UNI 5931  |              |
| 6           | 59048200N   | 1           | HALF DISC                  |              |
| 7           | 58048215    | 1           | SPRING                     |              |
| 8           | 59048208    | 1           | HALF DISC                  |              |

|              | A        | B          | C          | D                |
|--------------|----------|------------|------------|------------------|
| 4.00 - 8"    | 39114008 | 39414008   | 58043250 ★ | 92480719 (kg.11) |
| 4.0 - 10"    | 39114010 | 39415010 ★ | 58048330 ★ | 92480720 (kg.15) |
| 5.0 - 10"    | 39115010 | 39415010   | 58048330 ★ | 92480720 (kg.15) |
| 5.00 - 12"   | 39115012 | 39415012   | 58044804 ★ | 92480721 (kg.34) |
| 6.5/80 - 12" | 39116018 | 39416018   | 58044804 ★ | 92480721 (kg.34) |
| 6.5/80 - 15" | 39116020 | 39416020   | 58042746 ★ | 92480721 (kg.34) |



**FERRARI**

**300** serie **PS**  
PowerSafe®

WHEELS  
RUEDAS

RUOTE

ROUES  
RÄDER

DALLA MACCHINA  
FROM THE MACHINE  
DE LA MACHINE  
DE LA MAQUINA  
AB DER MASCHINE

★ N.

AGGIORNAMENTO

REVISION

MISE A JOUR

APLAZAMIENTO

ANPASSUNG

**P01** 1

11/2010

Rev.

ZENNE

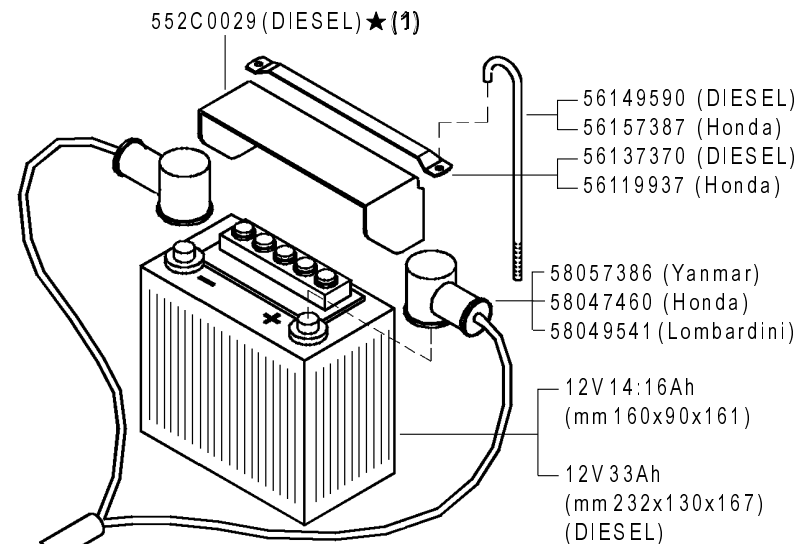
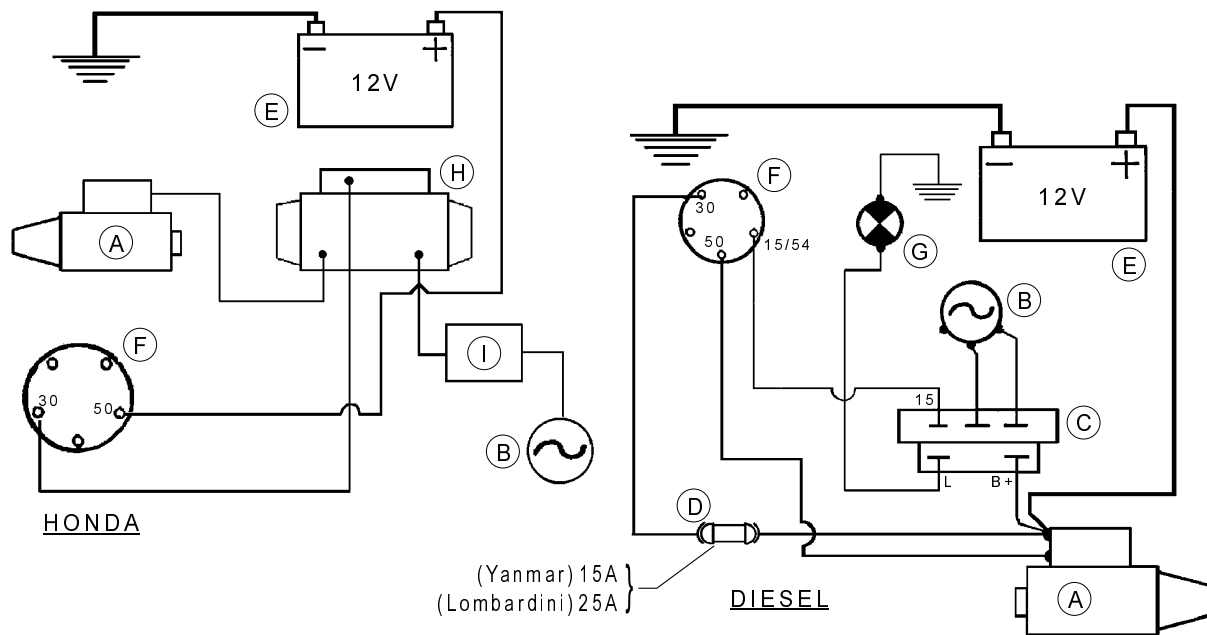
| Pos.     | Code     | Q.ty | Description  | Notes |
|----------|----------|------|--|-------|
| 31211100 | 31211100 | 1    | NUT M10  |       |
| 31312103 | 31312103 | 1    | STUD BOLT M10X46X24X16   |       |
| 31423105 | 31423105 | 1    | SPRING WASHER 10,5   |       |
| 39114008 | 39114008 | 1    | TYRE 4.00-8 2PR  |       |
| 39114010 | 39114010 | 1    | TYRE 4.0-10 2PR  |       |
| 39115010 | 39115010 | 1    | TYRE 5.00-10 2PR   |       |
| 39115012 | 39115012 | 1    | TYRE 5.00-12 2PR   |       |
| 39116018 | 39116018 | 1    | TYRE 6.5/80-12 2PR   |       |
| 39116020 | 39116020 | 1    | TYRE 6.5/80-15 4PR   |       |
| 39414008 | 39414008 | 1    | INNER TUBE   |       |
| 39414010 | 39414010 | 1    | INNER TUBE   |       |
| 39415010 | 39415010 | 1    | INNER TUBE   |       |
| 39415012 | 39415012 | 1    | INNER TUBE   |       |
| 39416018 | 39416018 | 1    | INNER TUBE   |       |
| 39416020 | 39416020 | 1    | INNER TUBE   |       |
| 53143712 | 53143712 | 1    | SPACER   |       |
| 58042746 | 58042746 | 1    | RIM  |       |
| 58043250 | 58043250 | 1    | RIM  |       |
| 58044804 | 58044804 | 1    | RIM  |       |
| 58048330 | 58048330 | 1    | RIM  |       |
| 58052332 | 58052332 | 1    | CERCHIO 5J15 CR GIALLO RAL1003                                     |       |
| 92249993 | 92249993 | 1    | STEEL CAGE WHEELS D. 58 (PAIR)                                     |       |
| 92480703 | 92480703 | 1    | SPACER CM. 6 FOR WHEELS (PAIR)(0901012301)                         |       |
| 92480719 | 92480719 | 1    | WEIGHTS KG. 11 FOR WHEELS 4.00-8 FOR 305/306 (PAIR)                |       |
| 92480720 | 92480720 | 1    | WEIGHTS KG. 15 FOR WHEELS 4.0-10 AND 5.0-10 FOR 305/306/307 (PAIR) |       |
| 92480721 | 92480721 | 1    | WEIGHTS KG. 34 FOR WHEELS 5.00-12 / 6.5/80-12 (PAIR) (0901012307)  |       |
| 92480757 | 92480757 | 1    | CAGE WHEELS DIAM. CM. 49 FOR 306/30 (PAIR) (0901012315)            |       |
| 92480758 | 92480758 | 1    | ADAPTER RINGS FOR MOUNTING STEEL CAGE WHEELS CM. 49 (PAIR)         |       |
| 92480836 | 92480836 | 1    | STEEL CAGE WHEELS DIAM. 43 CM.                                     |       |

SERIAL

**WHEELS**

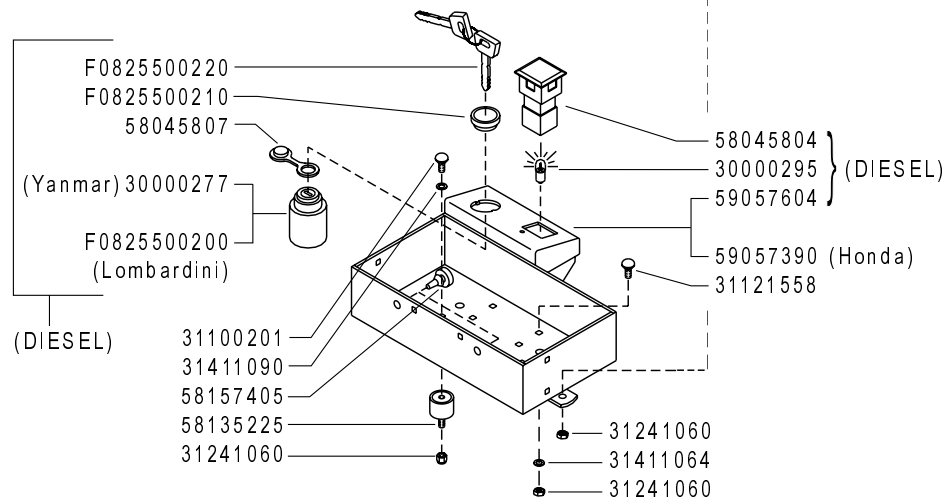
CODE REV

**P01\_1\_81340**



| A  | B   | C  | D   |
|--|---|--|---|
| MOTORINO D'AVVIAMENTO<br>STARTER<br>DÉMARREUR<br>MOT. DE ARRANQUE<br>ANLASSMOTOR | GENERATORE<br>GENERATOR<br>GÉNÉRATEUR<br>GENERADOR<br>GENERATOR | REGOLATORE<br>REGULATOR<br>RÉGULATEUR<br>REGULADOR<br>REGLER | FUSIBILI<br>FUSES<br>FUSIBLES<br>FUSIBLES<br>SCHMELZSICHERUNGEN |

| E   | F   | G   | H   | I   |
|---|---|---|---|---|
| BATTERIA<br>BATTERY<br>BATTERIE<br>BATERIA<br>BATERIE | INTERRUTTORE<br>SWITCH<br>INTERRUPTEUR<br>INTERRUPTOR<br>SCHALTER | SPIA CARICA BATTERIA<br>BATTERY LONG WARN. LIGHT<br>TEMOIN CHARG. BATTERIE<br>LUZ CARGA BATERIA<br>BATTERIELADUNG KTRL. LAMPE | SOLENOIDE<br>SOLENOID<br>SOLÉNOÏDE<br>SOLENOIDE<br>SOLENOID | DIODO<br>DIODE<br>DIODE<br>DIODE<br>DIODE |



(1) sostituisce 58057610

|  |  |  |                                      |   |                          |
|--|--|--|--------------------------------------|---|--------------------------|
|  | <b>300</b> serie <b>PS</b><br>PowerSafe® | <b>AVVIAMENTO ELETTRICO</b>            |                                      | DALLA MACCHINA<br>FROM THE MACHINE<br>DE LA MACHINE<br>DE LA MAQUINA<br>AB DER MASCHINE | Rev. <b>Q01</b> <b>1</b> |
|  |  | ELECTRIC STARTER<br>ARRANQUE ELECTRICO | DÉMARRAGE ELECTRIQUE<br>ELEKTROSTART |   |                          |

ZENNE

| Pos.     | Code        | Q.ty | Description              | Notes |
|----------|-------------|------|--------------------------|-------|
| 30000277 | 30000277    | 1    | SWITCH                   |       |
| 30000295 | 30000295    | 1    | LAMP                     |       |
| 31100201 | 31100201    | 1    | SCREW TTQ M6X12 UNI 5731 |       |
| 31121558 | 31121558    | 0    | SCREW TTQ M6X16 UNI 5731 |       |
| 31241060 | 31241060    | 1    | SELFLOCK NUT M6          |       |
| 31411064 | 31411064    | 1    | WASHER 6,4x12,5          |       |
| 31411090 | 31411090    | 1    | WASHER 9x24              |       |
| 552C0029 | 552C0029    | 1    | COPERCHIO BATTERIA 750   |       |
| 56119937 | 56119937    | 1    | BATTERY SUPPORT          |       |
| 56137370 | 56137370    | 1    | BATTERY BRACKET          |       |
| 56149590 | 56149590    | 1    | BATTERY BRACKET          |       |
| 56157387 | 56157387    | 1    | ROD                      |       |
| 58045804 | 58045804    | 1    | WARNING LIGHT            |       |
| 58045807 | 58045807    | 1    | LOCK COVER               |       |
| 58047460 | 58047460    | 1    | WIRING                   |       |
| 58049541 | 58049541    | 1    | WIRING                   |       |
| 58057386 | 58057386    | 1    | WIRING                   |       |
| 58135225 | 58135225    | 0    | VIBRATION-DAMPING        |       |
| 58157405 | 58157405    | 1    | PLUG                     |       |
| 59057390 | 59057390    | 1    | BOX                      |       |
| 59057604 | 59057604    | 1    | BOX                      |       |
| F0825500 | F0825500200 | 1    | CHANGE-OVER SWITCH       |       |
| F0825500 | F0825500210 | 1    | RING NUT                 |       |
| F0825500 | F0825500220 | 1    | KEY                      |       |

SERIAL

**ELECTRIC STARTER**

CODE REV

**Q01\_1\_81859**



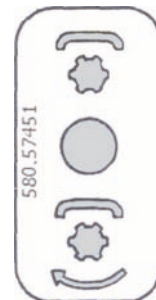
58056864



58056866



58057746



58057451



58057676



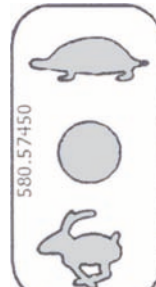
58057724



58056867



58056868



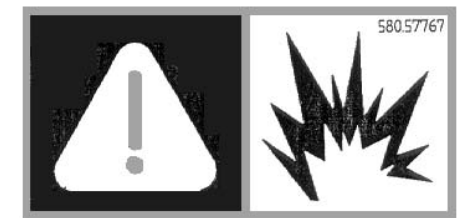
58057450



58057748



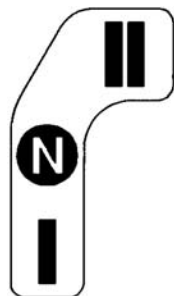
58057677



58057767



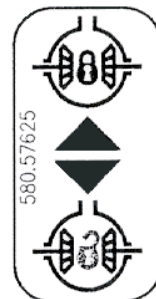
58056869



58057732



58057747



58057625



58093089



58057768

**FERRARI**

300 serie PS  
PowerSafe®

ADESIVE

STICKERS  
ADHESIVOS

AUTOCOLLANTS  
AUFKLEBES

DALLA MACCHINA  
FROM THE MACHINE  
DE LA MACHINE  
DE LA MAQUINA  
AB DER MASCHINE

N.

Rev. **R01** 0

05/2009

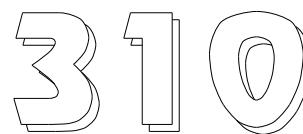
ZENNE

| Pos.     | Code     | Q.ty | Description | Notes |
|----------|----------|------|-------------|-------|
| 58056864 | 58056864 | 1    | DECAL       |       |
| 58056866 | 58056866 | 1    | DECAL       |       |
| 58056867 | 58056867 | 1    | DECAL       |       |
| 58056868 | 58056868 | 1    | DECAL       |       |
| 58056869 | 58056869 | 1    | DECAL       |       |
| 58057450 | 58057450 | 1    | DECAL       |       |
| 58057451 | 58057451 | 1    | DECAL       |       |
| 58057625 | 58057625 | 1    | DECAL       |       |
| 58057676 | 58057676 | 1    | DECAL       |       |
| 58057677 | 58057677 | 1    | DECAL       |       |
| 58057724 | 58057724 | 1    | DECAL       |       |
| 58057732 | 58057732 | 1    | DECAL       |       |
| 58057746 | 58057746 | 1    | DECAL       |       |
| 58057747 | 58057747 | 1    | DECAL       |       |
| 58057748 | 58057748 | 1    | DECAL       |       |
| 58057767 | 58057767 | 1    | DECAL       |       |
| 58057768 | 58057768 | 1    | DECAL       |       |
| 58093089 | 58093089 | 1    | DECAL       |       |



**PowerSafe** ®

1



6



7

**EasyDrive** ®

2



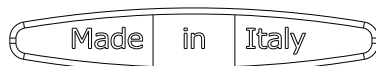
8



9



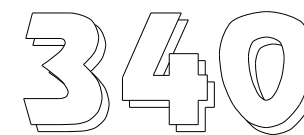
3



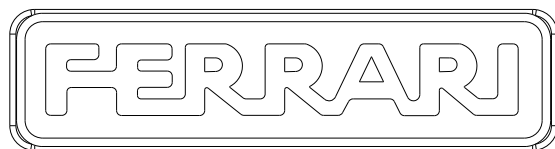
4



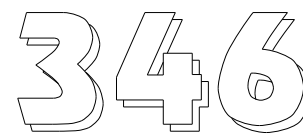
10



11



5

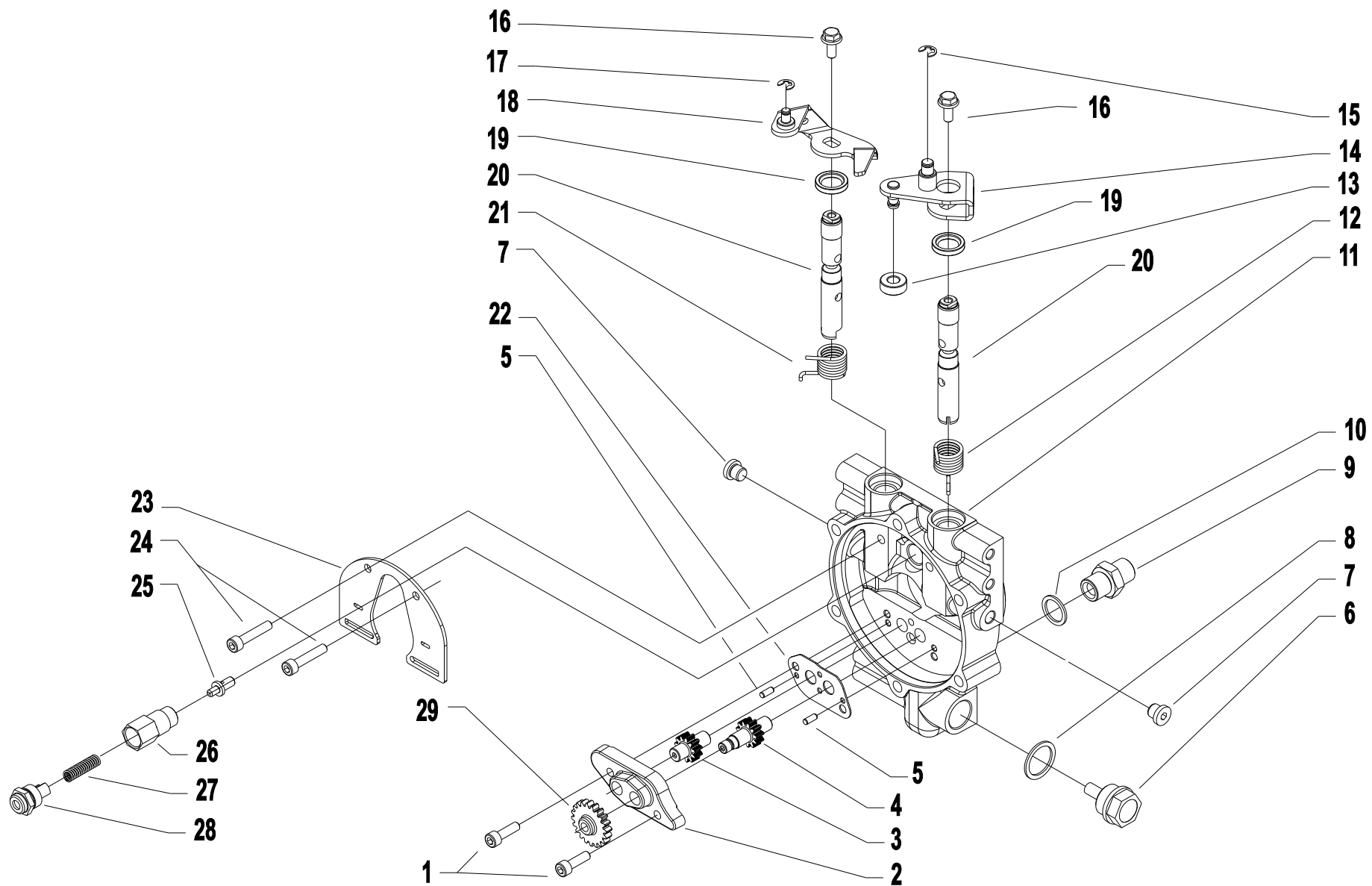


12

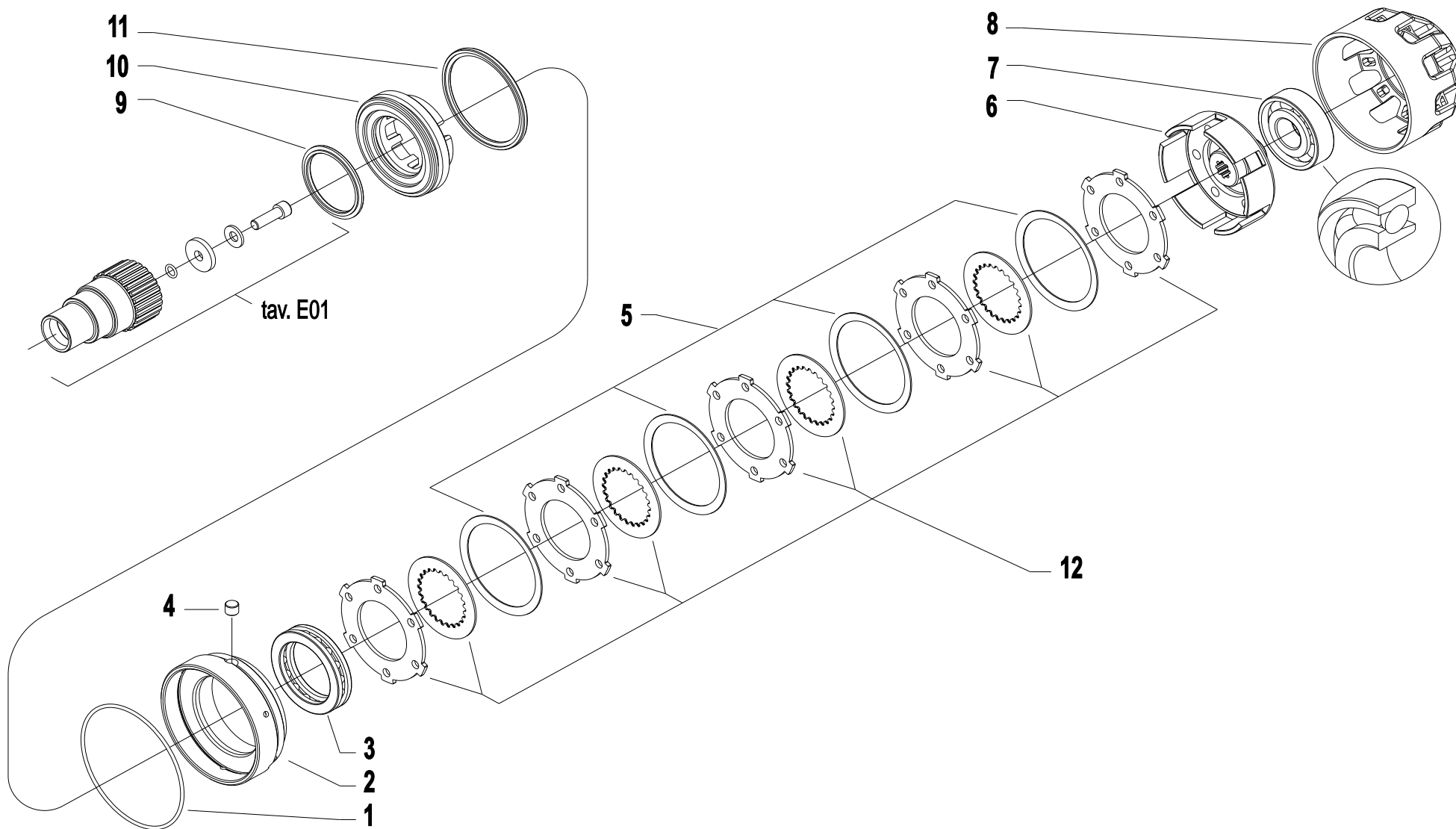


13

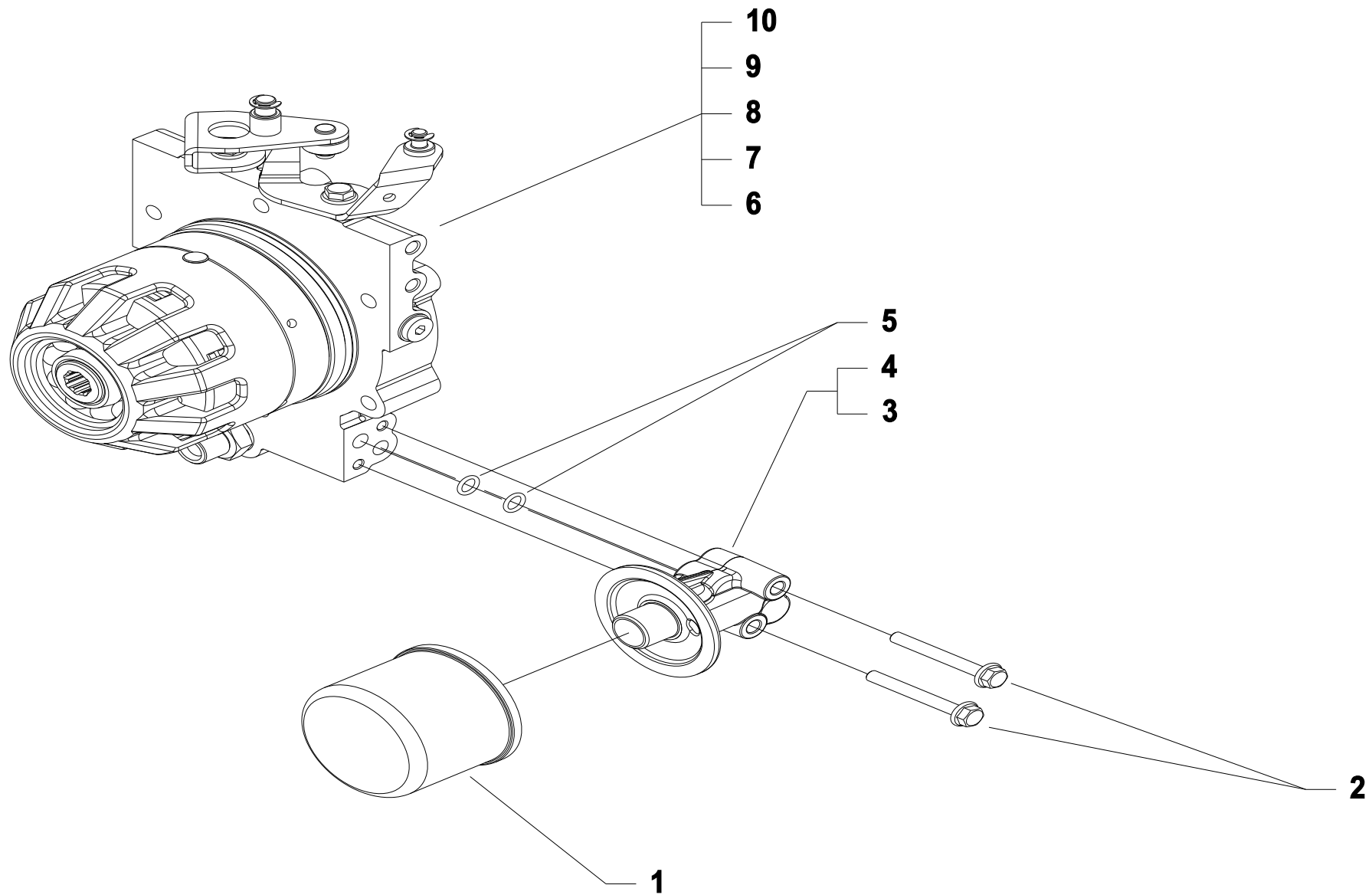
| Pos. | Code     | Q.ty | Description            | Notes |
|------|----------|------|------------------------|-------|
| 1    | 53057666 | 1    | MARCHIO POWERSAFE      |       |
| 2    | 53057670 | 1    | HANDLE BAR             |       |
| 3    | 53052175 | 1    | MARCHIO FERRARI MEDIO  |       |
| 4    | 530C0056 | 1    | DECAL                  |       |
| 5    | 53052176 | 1    | MARCHIO FERRARI GRANDE |       |
| 6    | 58052178 | 1    | DECAL                  |       |
| 7    | 58052179 | 1    | DECAL                  |       |
| 8    | 58052193 | 1    | DECAL                  |       |
| 9    | 58052180 | 1    | DECAL                  |       |
| 10   | 58052192 | 1    | DECAL                  |       |
| 11   | 58052181 | 1    | DECAL                  |       |
| 12   | 58052182 | 1    | DECAL                  |       |
| 13   | 58052191 | 1    | DECAL                  |       |



| Pos. | Code        | Q.ty | Description                   | Notes |
|------|-------------|------|-------------------------------|-------|
| 1    | 31152063    | 1    | SCREW TCEI M6X20 UNI 5931     |       |
| 2    | 51156214    | 1    | COVER                         |       |
| 3    | 52456217    | 1    | DRIVEN GEAR                   |       |
| 4    | 52456223    | 1    | GEAR                          |       |
| 5    | 34221040    | 1    | CYLINDRICAL PLUG              |       |
| 6    | 58170021    | 1    | PLUG                          |       |
| 7    | 580C0041    | 1    | TAPPO 1/8 GAS - 107601 CAST   |       |
| 8    | F0844273090 | 1    | GASKET 22X28X1,5 CU 99,5      |       |
| 9    | 30000197    | 1    | NIPPLE                        |       |
| 10   | 31480184    | 1    | COPPER WASHER 16,7x22/1,5     |       |
| 11   | 59256200    | 1    | CLUTCH FLANGE                 |       |
| 12   | 58056222    | 1    | SPRING                        |       |
| 13   | 55256228    | 1    | ROLLER                        |       |
| 14   | 59056225Z   | 1    | CLUTCH LEVER                  |       |
| 15   | 35211060    | 1    | SEEGER RING E 6 UNI 7434      |       |
| 16   | 31112084    | 1    | VITE TE C/F M6X14 DIN 6921 8G |       |
| 17   | 35211050    | 1    | SEEGER RING                   |       |
| 18   | 59056298Z   | 1    | LEVA STOP C.TA ZNT            |       |
| 19   | 38211400    | 1    | OIL SEAL 14X22X4              |       |
| 20   | 52456220    | 1    | DISTRIBUTOR                   |       |
| 21   | 58056221    | 1    | SPRING                        |       |
| 22   | 56356661    | 1    | COUNTERWEIGHT                 |       |
| 23   | 56156224    | 1    | SHIELD                        |       |
| 24   | 31152060    | 1    | SCREW TCEI M6X30 UNI 5931     |       |
| 25   | 56456657    | 1    | VALVE                         |       |
| 26   | 56156658    | 1    | VALVE SEAT                    |       |
| 27   | 58056683    | 1    | MOLLA VALVOLA 2.5             |       |
| 28   | 56356242    | 1    | TAPPO VALVOLA                 |       |

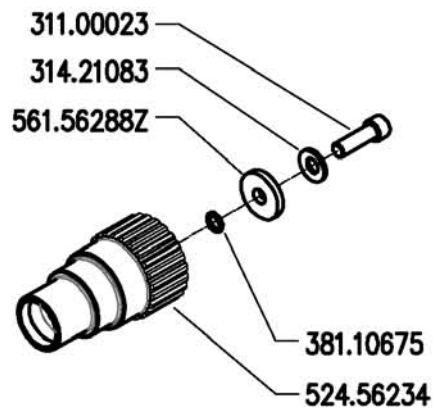


| Pos. | Code     | Q.ty | Description      | Notes |
|------|----------|------|------------------|-------|
| 1    | 38118859 | 1    | O-RING           |       |
| 2    | 56356216 | 1    | RING             |       |
| 3    | 37161500 | 1    | BEARING          |       |
| 4    | 56156247 | 1    | PIN              |       |
| 5    | 56556213 | 1    | SPRING           |       |
| 6    | 52456694 | 1    | CAMPANA FRIZIONE |       |
| 7    | 37141253 | 1    | BEARING          |       |
| 8    | 53156210 | 1    | SUMP             |       |
| 9    | 38120500 | 1    | RING             |       |
| 10   | 53156218 | 1    | PISTON           |       |
| 11   | 38140850 | 1    | RING             |       |
| 12   | 59256693 | 1    | 9 DISC CLUTCH    |       |

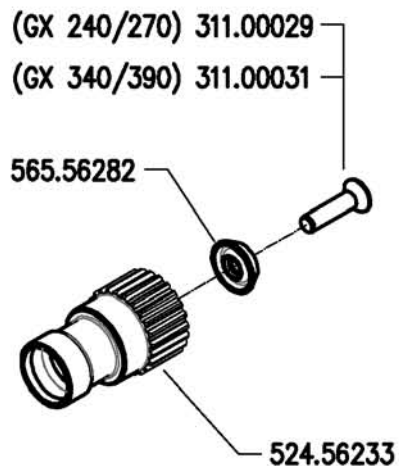


| Pos. | Code     | Q.ty | Description                    | Notes                           |
|------|----------|------|--------------------------------|---------------------------------|
| 1    | 58056208 | 1    | FILTER                         |                                 |
| 2    | 31112099 | 1    | VITE TE C/F M6X50 DIN 6921 8G  |                                 |
| 3    | 53156659 | 1    | CONNECTION                     | For the 730 series PS EasyDrive |
| 4    | 53156209 | 1    | CONNECTION                     |                                 |
| 5    | 38110873 | 1    | O-RING 108 (8,73X1,78)         |                                 |
| 6    | 59256039 | 1    | POWERSAFE CLUTCH ASSY          | For engines 15LD500/3LD510      |
| 7    | 59256038 | 1    | GR.FRIZ.POWERSAFE CONO IT C.TO | For engines 15LD350/440-L70/100 |
| 8    | 59256037 | 1    | GR.FRIZ.POWERSAFE Q25.4 (3/8)  | For engines GX340/GX390         |
| 9    | 59256036 | 1    | POWERSAFE CLUTCH               | For engines GX240/GX270/EX21    |
| 10   | 59256035 | 1    | POWERSAFE CLUTCH ASSY Q19      | For engines GX160/GX200         |

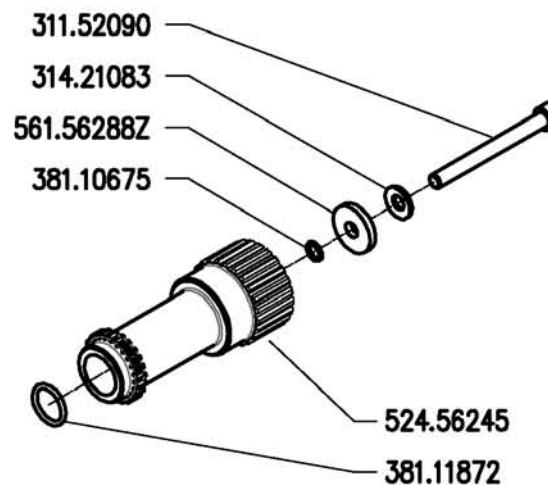




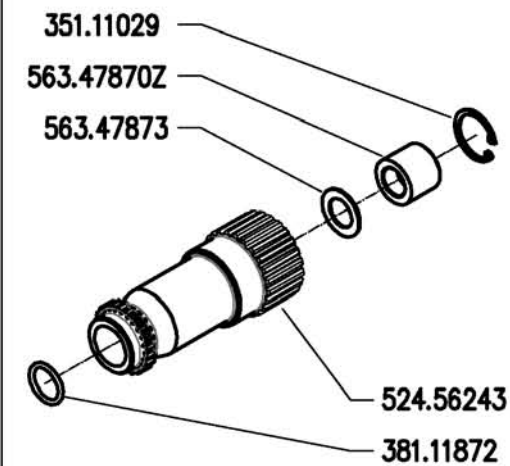
GX 160-200



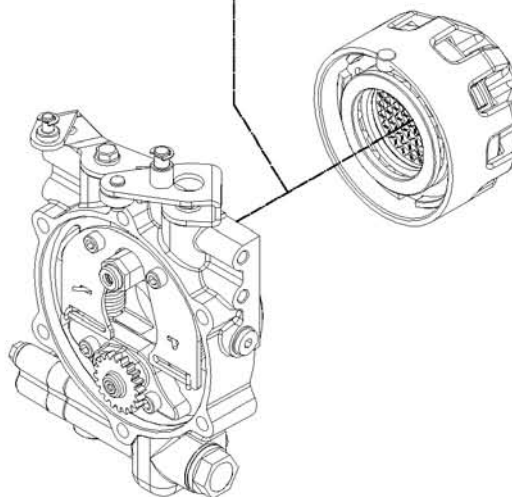
GX 240-270-340-390



15LD350-440 - L70-100



15LD500 - 3LD510 ★



700 serie PS  
PowerSafe®

### MOZZI FRIZIONE POWERSAFE

POWERSAFE CLUTCH HUBS  
CUBOS EMBRAGUE POWERSAFE

MOYEURS EMBRAYAGE POWERSAFE  
NABEN POWERSAFE KUPPLUNG

DALLA MACCHINA  
DE LA MAQUINA  
DE LA MACHINA  
FROM THE MACHINE  
AB DER MASCHINE



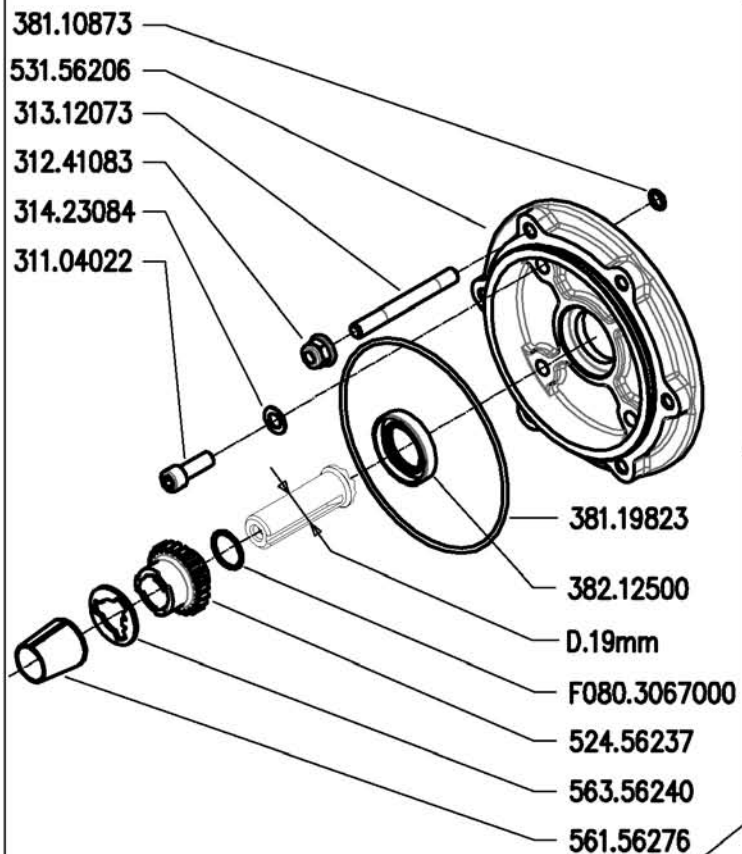
AGGIORNAMENTO  
APLAZAMIENTO  
MISE A JOUR  
REVISION  
ANPASSUNG

E01

11/2010

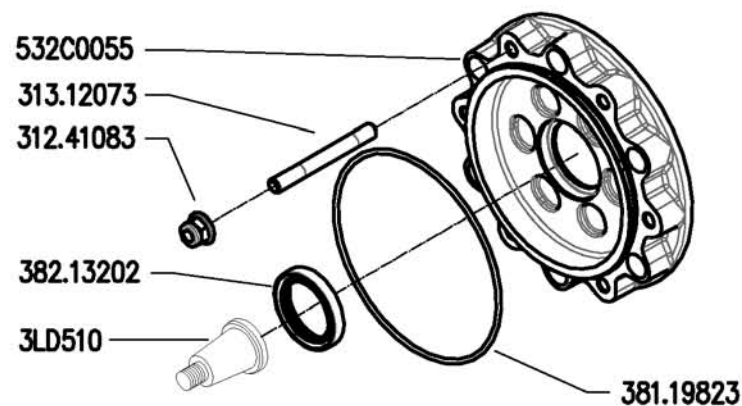
Rev. 1

| Pos.     | Code      | Q.ty | Description                    | Notes |
|----------|-----------|------|--------------------------------|-------|
| 31100023 | 31100023  | 1    | SCREW 5/16-24                  |       |
| 31100029 | 31100029  | 1    | VITE TSVEI 7/16-20X1 1/2 UNF8G |       |
| 31100031 | 31100031  | 1    | VITE TSVEI 3/8-24X1 1/2 UNF 8G |       |
| 31152090 | 31152090  | 1    | SCREW TCEI M8x80 UNI5931       |       |
| 31421083 | 31421083  | 1    | WASHER                         |       |
| 35111029 | 35111029  | 1    | SEEGER RING                    |       |
| 38110675 | 38110675  | 1    | O-RING 106 (6.75X1.78)         |       |
| 38111872 | 38111872  | 1    | O-RING 3075 (18,72x2,62)       |       |
| 52456233 | 52456233  | 1    | HUB                            |       |
| 52456234 | 52456234  | 1    | HUB                            |       |
| 52456243 | 52456243  | 1    | HUB                            |       |
| 52456245 | 52456245  | 1    | HUB                            |       |
| 56156288 | 56156288Z | 1    | SPECIAL WASHER SP.4            |       |
| 56347870 | 56347870Z | 1    | SPECIAL NUT                    |       |
| 56347873 | 56347873  | 1    | WASHER                         |       |
| 56556282 | 56556282  | 1    | WASHER D.25,4                  |       |

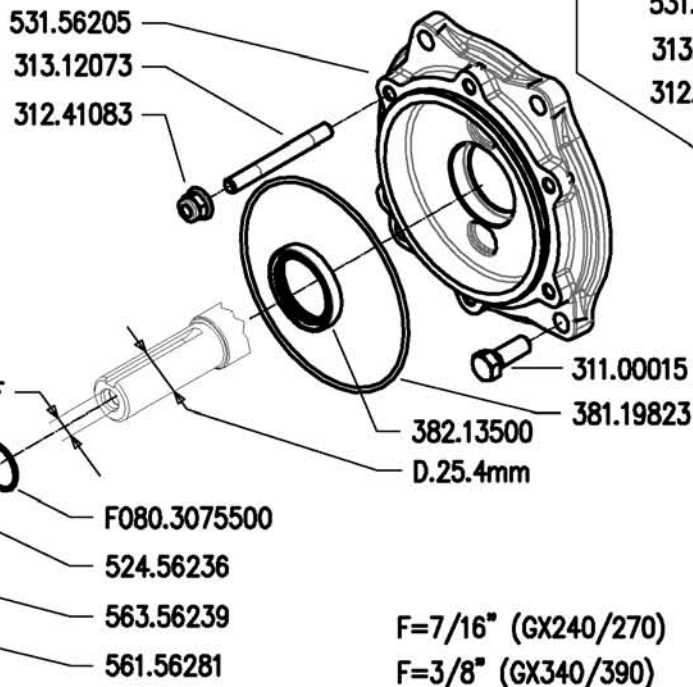


GX 160-200

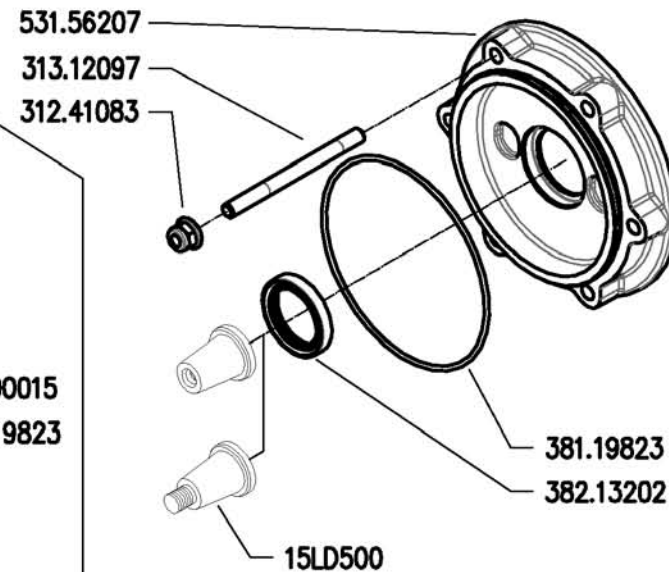
★ 3LD510



GX 240-270-340-390



F=7/16" (GX240/270)  
F=3/8" (GX340/390)



15LD350-440-500  
L70-100



700 serie PS  
PowerSafe®

ENGINE FLANGES  
BRIDAS MOTOR

FLANGIE MOTORE

BRIDES MOTEUR  
MOTOR FLANSCH

DALLA MACCHINA  
DE LA MAQUINA  
DE LA MACHINA  
FROM THE MACHINE  
AB DER MASCHINE

★ N.

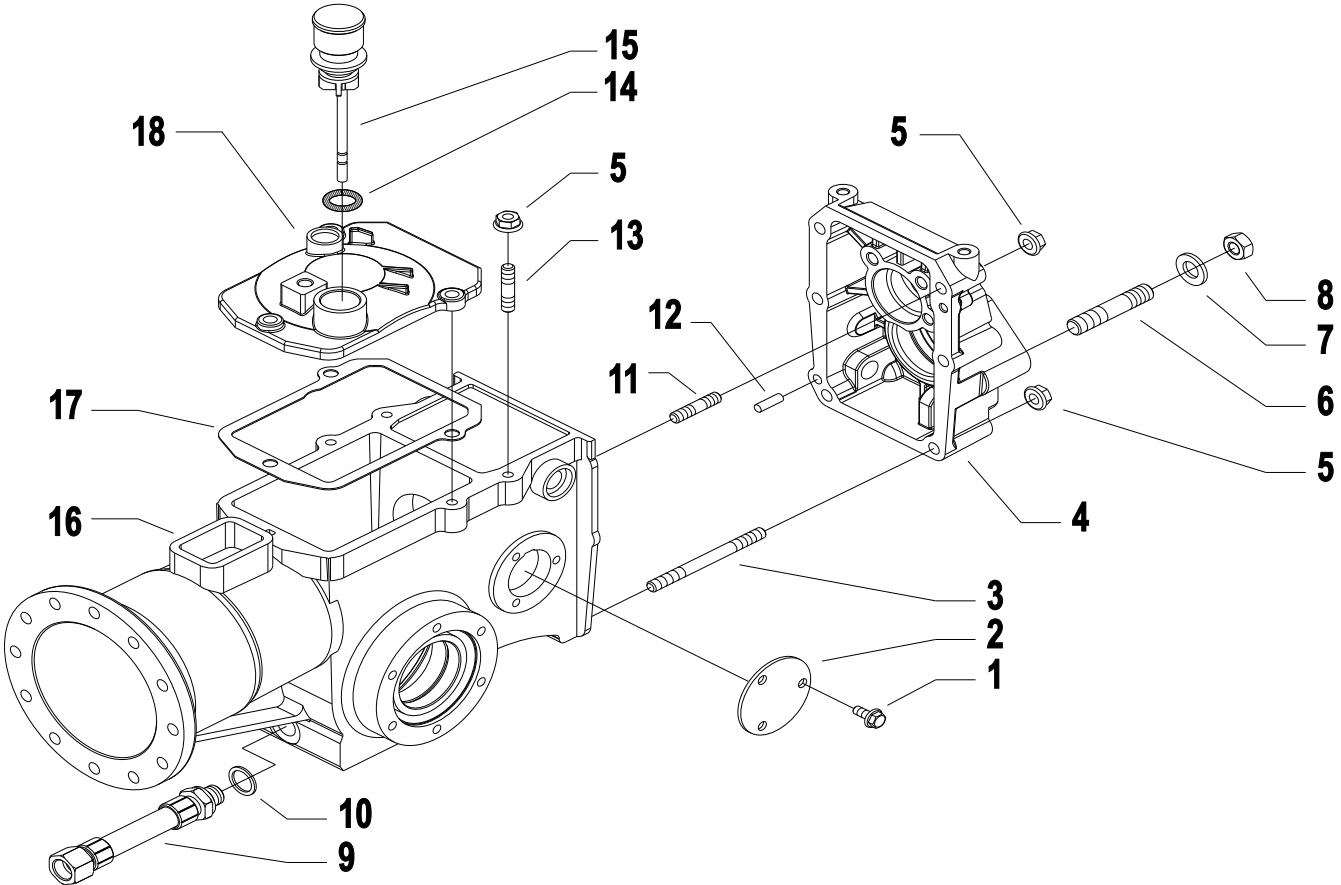
AGGIORNAMENTO  
APLAZAMIENTO  
MISE A JOUR  
REVISION  
ANPASSUNG

F01

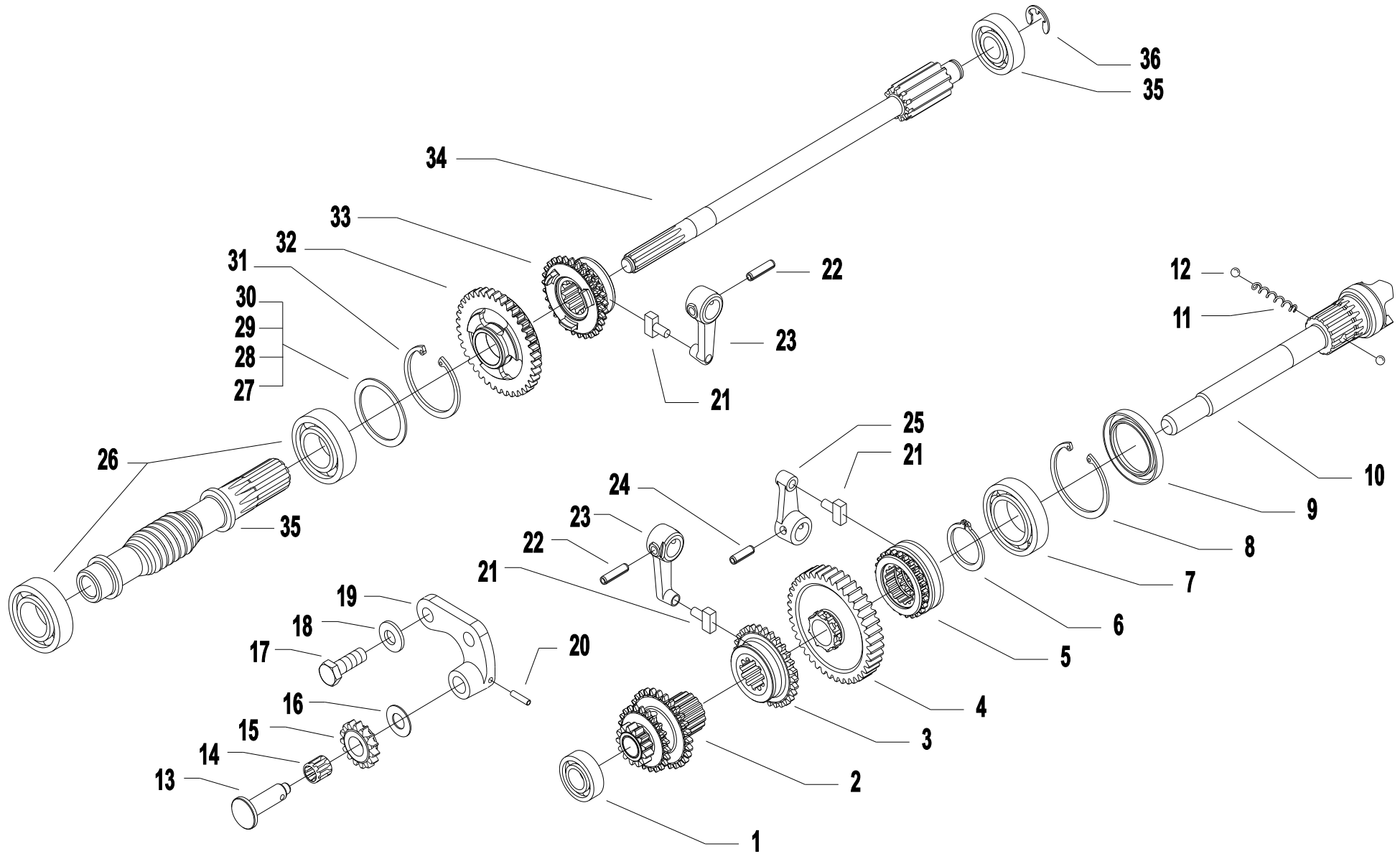
11/2010

Rev. 1

| Pos.     | Code        | Q.ty | Description                | Notes |
|----------|-------------|------|----------------------------|-------|
| 31100015 | 31100015    | 1    | SCREW TE 3/8X1             |       |
| 31104022 | 31104022    | 1    | VITE TCEI 5/16X7/8 UNF 12K |       |
| 31241083 | 31241083    | 1    | SELFLOCK NUT M8            |       |
| 31312073 | 31312073    | 1    | STUD BOLT                  |       |
| 31312097 | 31312097    | 1    | STUD BOLT                  |       |
| 31423084 | 31423084    | 1    | SPRING WASHER 8,4          |       |
| 38110873 | 38110873    | 1    | O-RING 108 (8,73X1,78)     |       |
| 38119823 | 38119823    | 1    | O-RING                     |       |
| 38212500 | 38212500    | 1    | OIL SEAL 25X40X7           |       |
| 38213202 | 38213202    | 1    | OIL SEAL 32X45X7           |       |
| 38213500 | 38213500    | 1    | OIL SEAL 35X47X7           |       |
| 52456236 | 52456236    | 1    | PUMP GEAR                  |       |
| 52456237 | 52456237    | 1    | PUMP GEAR                  |       |
| 53156205 | 53156205    | 1    | ENGINE FLANGE              |       |
| 53156206 | 53156206    | 1    | ENGINE FLANGE              |       |
| 53156207 | 53156207    | 1    | ENGINE FLANGE              |       |
| 532C0055 | 532C0055    | 1    | FLANGIA MOTORE ACT         |       |
| 56156276 | 56156276    | 1    | SLEEVE                     |       |
| 56156281 | 56156281    | 1    | CENTRING BUSH              |       |
| 56356239 | 56356239    | 1    | TRASCINATORE Q25           |       |
| 56356240 | 56356240    | 1    | TRASCINATORE Q19           |       |
| F0803067 | F0803067000 | 1    | O-RING 2075 (18,77X1,78)   |       |
| F0803075 | F0803075500 | 1    | O-RING 2100 (25,12X1,78)   |       |



| Pos. | Code      | Q.ty | Description                  | Notes                                   |
|------|-----------|------|------------------------------|---|
| 1    | 31112083  | 1    | SCREW M6X12                  |   |
| 2    | 56147520Z | 1    | COVER                        |   |
| 3    | 31312094  | 1    | STUD BOLT M8X68X14X36        |   |
| 4    | 53156332V | 1    | REAR COVER                   |   |
| 5    | 31241084  | 1    | SELFLOCK NUT M8 6S           |   |
| 6    | 31312125  | 1    | STUD BOLT                    |   |
| 7    | 31421132  | 1    | WASHER 13X24X2,8             |   |
| 8    | 31221121  | 1    | NUT M12X1,25                 |   |
| 9    | 59056248  | 1    | TUBO ASPIRAZIONE CORTO C.TO  |   |
| 10   | 31480184  | 1    | COPPER WASHER 16,7x22/1,5    |   |
| 11   | 31312086  | 1    | STUD BOLT M8X56X20X14        |   |
| 12   | 58043053  | 1    | CYLINDRICAL PLUG             |   |
| 13   | 31312082  | 1    | STUD BOLT M8X38X14X20        |   |
| 14   | 55102678  | 1    | RUBBER RING                  |   |
| 15   | 59056672  | 1    | TAPPO C/ASTA LIVELLO OLIO ED |   |
| 16   | 53156203V | 1    | BOX CASING                   |   |
| 17   | 58043117  | 1    | COVER GASKET                 |   |
| 18   | 53143128V | 1    | COVER                        | Pour les modèles Série 310/320/328 PS   |
| 18   | 53143875V | 1    | GEARBOX HOUSING COVER        | Pour les modèles 330/338 de la série PS |



| Pos. | Code     | Q.ty | Description                | Notes |
|------|----------|------|----------------------------|-------|
| 1    | 37111150 | 1    | BEARING                    |       |
| 2    | 59056730 | 1    | INGRANAGGIO TRIPLO 3C C.TO |       |
| 3    | 52456370 | 1    | SLIDER                     |       |
| 4    | 59056707 | 1    | PTO GEAR                   |       |
| 5    | 52456706 | 1    | PTO COUPLING               |       |
| 6    | 35121031 | 1    | SEEGER RING E 30 UNI 7436  |       |
| 7    | 37112229 | 1    | BEARING                    |       |
| 8    | 35111055 | 1    | SEEGER RING I 55 DIN 472   |       |
| 9    | 38213800 | 1    | OIL SEAL 38X55X7           |       |
| 10   | 52456335 | 1    | PTO SHAFT                  |       |
| 11   | 58056391 | 1    | SPRING                     |       |
| 12   | 37910832 | 1    | BALL 1/4                   |       |
| 13   | 56456736 | 1    | PERNO INGRANAGGIO OZIOSO   |       |
| 14   | 37320120 | 1    | ROLLER CAGE 12X15/10       |       |
| 15   | 56456347 | 1    | GEAR                       |       |
| 16   | 56356348 | 1    | ADJUSTING RING             |       |
| 17   | 31112211 | 1    | SCREW TE M10X30 UNI 5739   |       |
| 18   | 31421101 | 1    | WASHER                     |       |
| 19   | 52456349 | 1    | GEAR SUPPORT               |       |
| 20   | 34211042 | 1    | ROLL PIN                   |       |
| 21   | 58043086 | 1    | SHOE                       |       |
| 22   | 34213060 | 1    | ROLL PIN                   |       |
| 23   | 52456389 | 1    | LEVER                      |       |
| 24   | 34213061 | 1    | ROLL PIN                   |       |
| 25   | 52456390 | 1    | LEVER                      |       |
| 26   | 37111255 | 1    | BEARING                    |       |
| 27   | 56356331 | 1    | ADJUSTING RING SP=1,8      |       |
| 28   | 56356330 | 1    | ADJUSTING RING SP=1,7      |       |
| 29   | 56356329 | 1    | ADJUSTING RING SP=1,6      |       |
| 30   | 56356328 | 1    | ADJUSTING RING SP=1,5      |       |
| 31   | 35111052 | 1    | SEEGER RING I 52 DIN 472   |       |
| 32   | 52456732 | 1    | INGRANAGGIO 1a 3C          |       |
| 33   | 52456733 | 1    | SCORREVOLE 3C              |       |
| 34   | 52456339 | 1    | SHAFT                      |       |

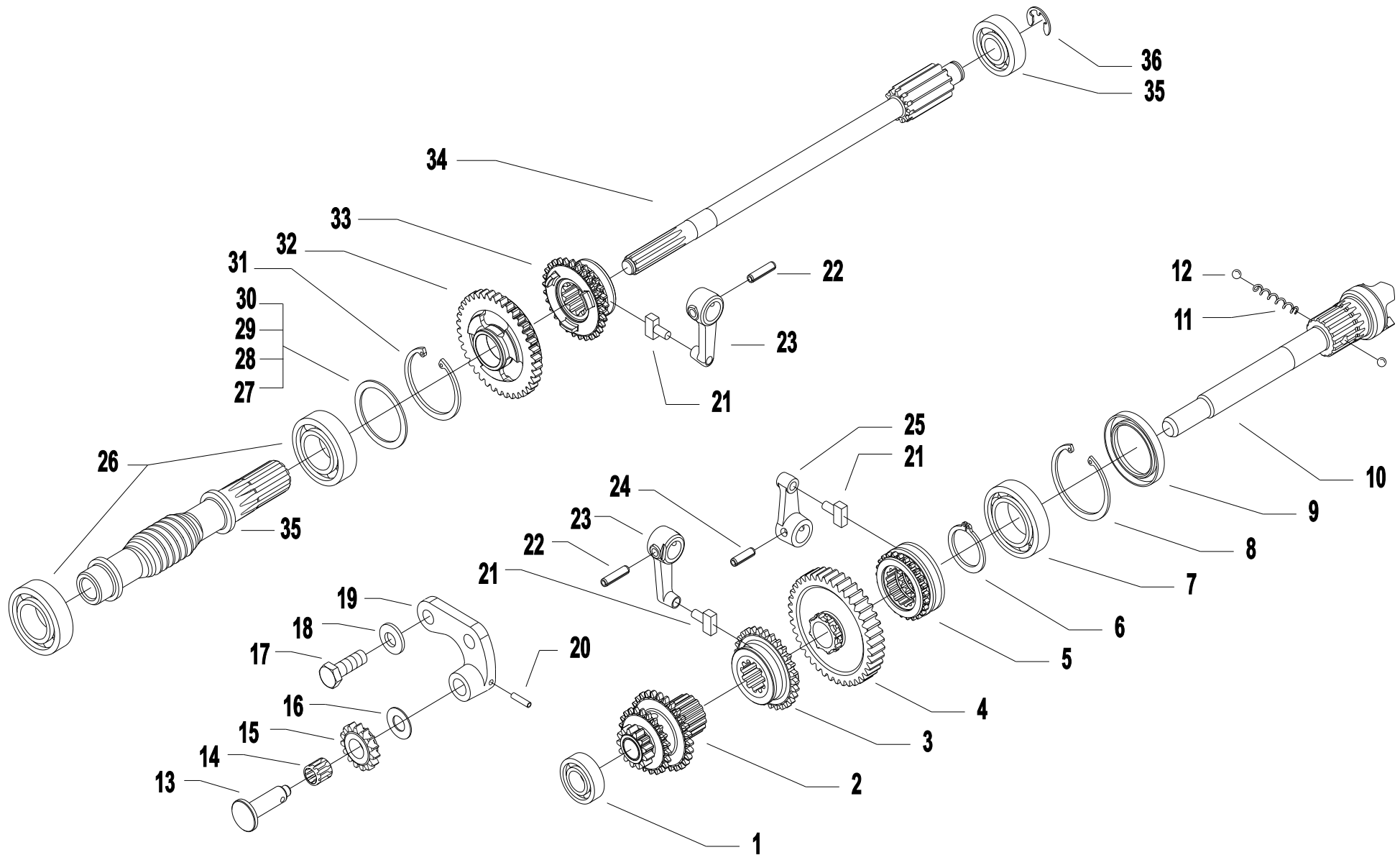
SERIAL

**GEARS**

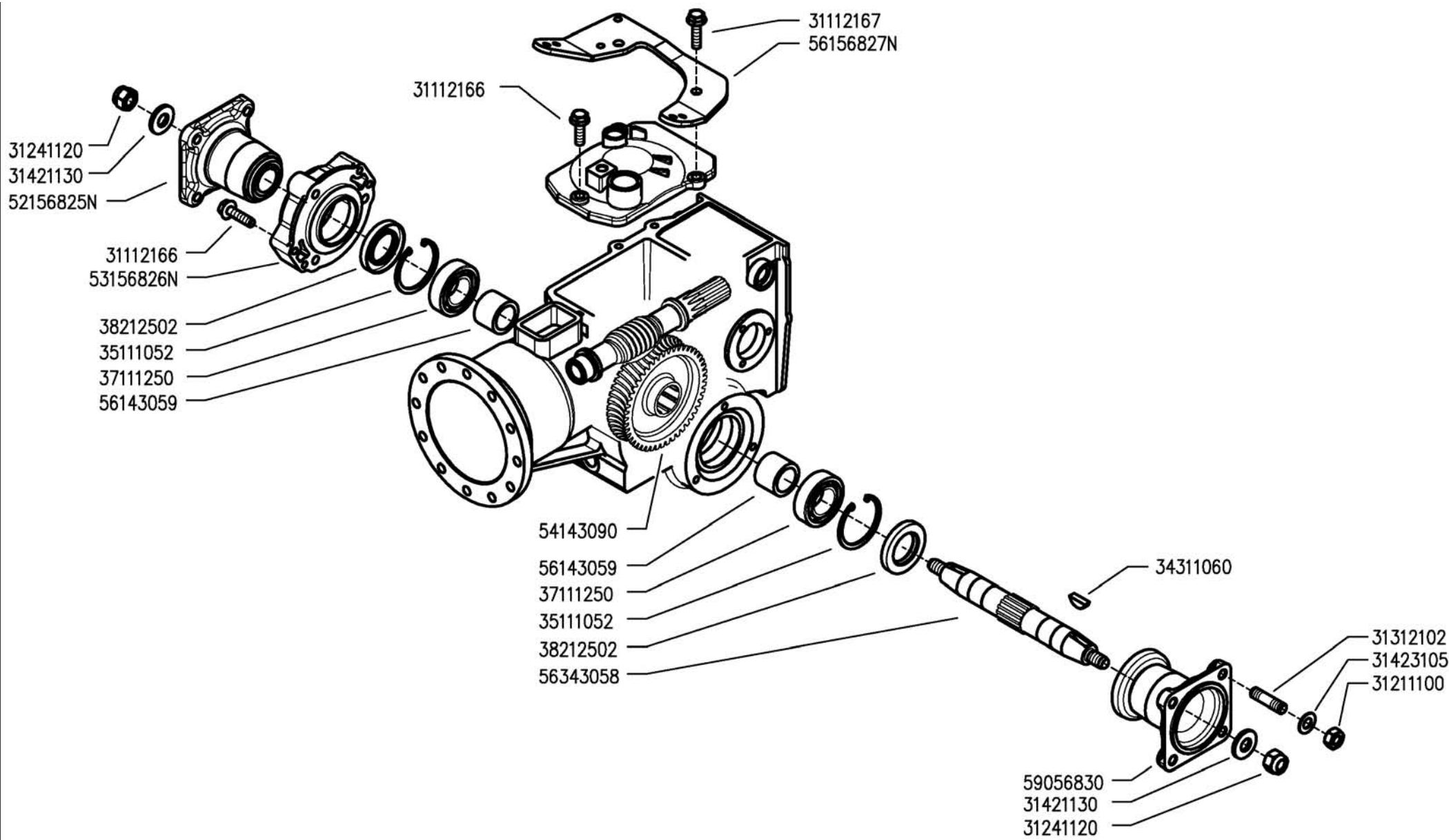
CODE REV

**H.04.01.A0003\_00**





| Pos. | Code     | Q.ty | Description               | Notes |
|------|----------|------|---------------------------|-------|
| 35   | 37111152 | 1    | BEARING                   |       |
| 36   | 35211120 | 1    | SEEGER RING E 12 UNI 7434 |       |



**FERRARI**

300 serie PS  
PowerSafe®

WHEELS AXLE  
EJE RUEDAS

ASSE RUOTE  
(310-320)

ESSIEUS ROUES  
RÄDACHSE

DALLA MACCHINA  
DE LA MAQUINA  
DE LA MACHINA  
FROM THE MACHINE  
AB DER MASCHINE

N.

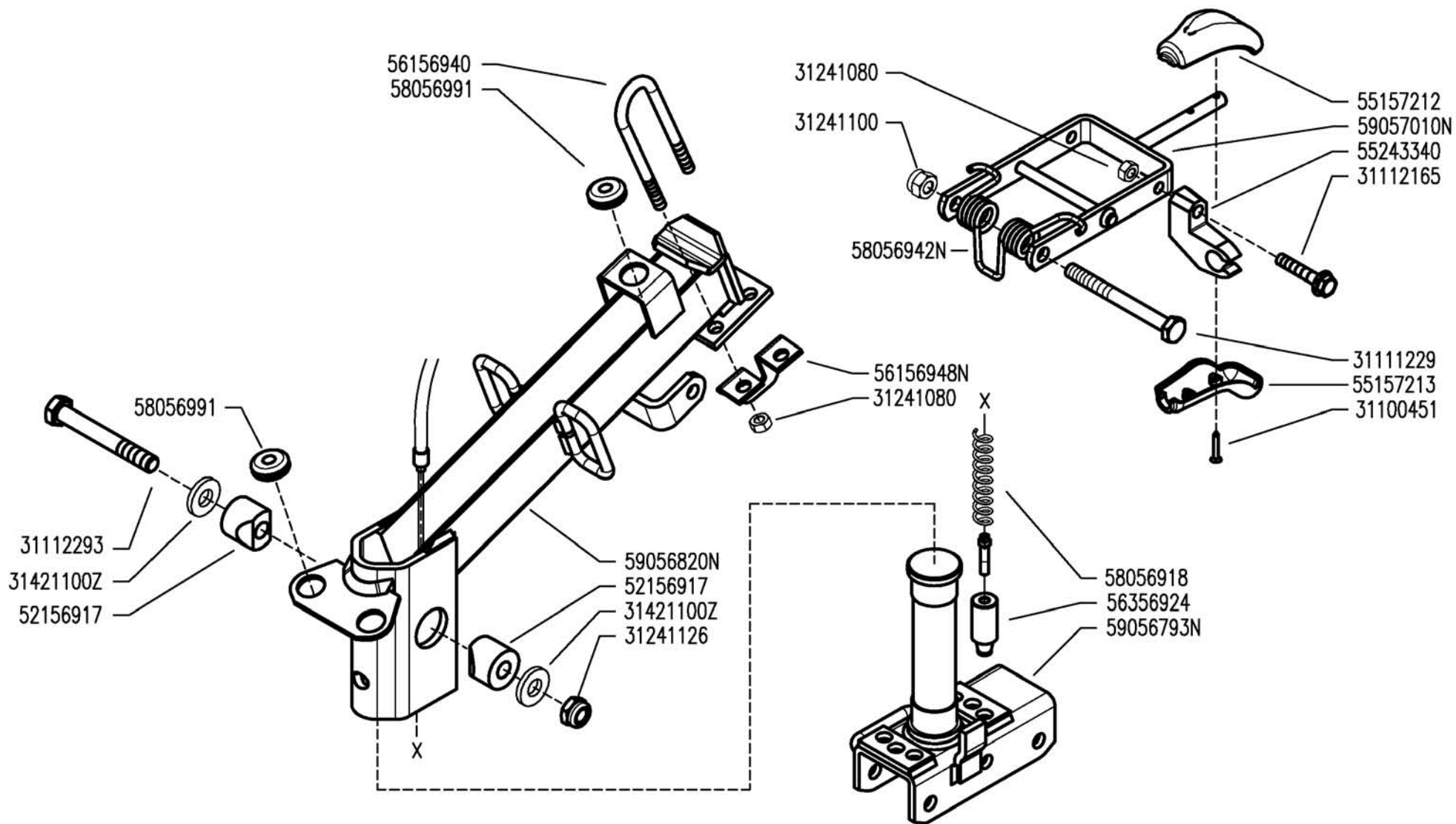
|  |
|--|
|  |
|  |
|  |
|  |

I01

05/2009

Rev.  
0

| Pos.     | Code      | Q.ty | Description                    | Notes |
|----------|-----------|------|--------------------------------|-------|
| 31112166 | 31112166  | 1    | SCREW TE C/F M8X25 DIN 6921 8G |       |
| 31112167 | 31112167  | 1    | SCREW TE C/F M8X30 DIN 6921 8G |       |
| 31211100 | 31211100  | 1    | NUT M10                        |       |
| 31241120 | 31241120  | 1    | SELFLOCK NUT M12               |       |
| 31312102 | 31312102  | 1    | STUD BOLT M10X40X24X12         |       |
| 31421130 | 31421130  | 1    | WASHER                         |       |
| 31423105 | 31423105  | 1    | SPRING WASHER 10,5             |       |
| 34311060 | 34311060  | 1    | KEY 6X10 UNI 6606              |       |
| 35111052 | 35111052  | 1    | SEEGER RING I 52 DIN 472       |       |
| 37111250 | 37111250  | 1    | BEARING                        |       |
| 38212502 | 38212502  | 1    | OIL SEAL 25X52X7               |       |
| 52156825 | 52156825N | 1    | WHEEL HUB                      |       |
| 53156826 | 53156826N | 1    | FLANGE                         |       |
| 54143090 | 54143090  | 1    | CROWN WHEEL                    |       |
| 56143059 | 56143059  | 1    | SPACER                         |       |
| 56156827 | 56156827N | 1    | STOP                           |       |
| 56343058 | 56343058  | 1    | AXLE SHAFT                     |       |
| 59056830 | 59056830  | 1    | WHEEL HUB                      |       |



300 serie PS  
PowerSafe®

STEERING COLUMN  
COLUMNA

PIANTONE  
(320-330)

PLANTON  
LENKSÄULE

DALLA MACCHINA  
DE LA MAQUINA  
DE LA MACHINA  
FROM THE MACHINE  
AB DER MASCHINE

N.

J02 0

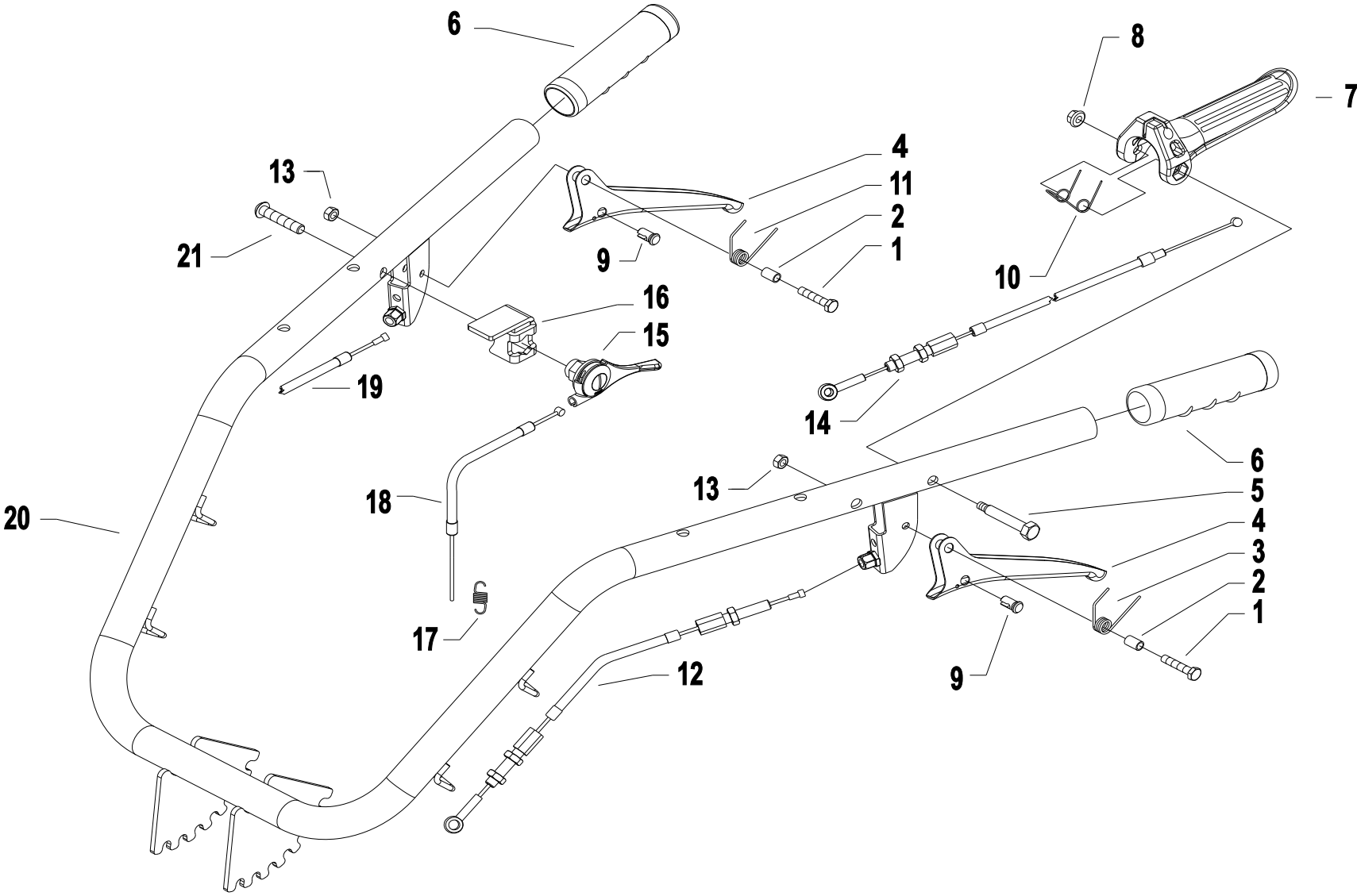
05/2009

Rev.

DITEBCS - Scala 1/4

| Pos.     | Code      | Q.ty | Description                    | Notes |
|----------|-----------|------|--------------------------------|-------|
| 31100451 | 31100451  | 1    | SCREW 3,5X25                   |       |
| 31111229 | 31111229  | 1    | SCREW TE M10X110 UNI 5737 8G   |       |
| 31112165 | 31112165  | 1    | SCREW TE C/F M8X35 DIN 6921 8G |       |
| 31112293 | 31112293  | 1    | SCREW TE M12X80 UNI 5737       |       |
| 31241080 | 31241080  | 1    | SELFLOCK NUT M8                |       |
| 31241100 | 31241100  | 1    | SELFLOCK NUT M10 6S            |       |
| 31241126 | 31241126  | 1    | SELFLOCK NUT M12               |       |
| 31421100 | 31421100Z | 1    | CUP SPRING                     |       |
| 52156917 | 52156917  | 1    | WEDGE                          |       |
| 55157212 | 55157212  | 1    | GRIP                           |       |
| 55157213 | 55157213  | 1    | GRIP                           |       |
| 55243340 | 55243340  | 1    | SUPPORT                        |       |
| 56156940 | 56156940  | 1    | U BOLT                         |       |
| 56156948 | 56156948N | 1    | STOP                           |       |
| 56356924 | 56356924  | 1    | FERRULE                        |       |
| 58056918 | 58056918  | 1    | SPRING                         |       |
| 58056942 | 58056942N | 1    | SPRING                         |       |
| 58056991 | 58056991  | 1    | CABLE GLAND                    |       |
| 59056793 | 59056793N | 1    | SUPPORT                        |       |
| 59056820 | 59056820N | 1    | COLUMN                         |       |
| 59057010 | 59057010N | 1    | LEVER                          |       |

HANDLEBAR



| Pos. | Code      | Q.ty | Description                    | Notes  |
|------|-----------|------|--------------------------------|--|
| 1    | 31112089  | 1    | SCREW TE M6X25 UNI 5739 8G     |  |
| 2    | 56156603Z | 1    | SPACER                         |  |
| 3    | 58050345  | 1    | SPRING                         |  |
| 4    | 56148470N | 1    | LEVER                          |  |
| 5    | 56356184Z | 1    | LEVER PIN                      |  |
| 6    | 58048000  | 1    | KNOB                           |  |
| 7    | 55256185  | 1    | LEVER                          |  |
| 8    | 31241065  | 1    | SELFLOCK NUT M6                |  |
| 9    | 58150313  | 1    | CABLE CLAMP                    |  |
| 10   | 58056186Z | 1    | SPRING                         |  |
| 11   | 58056593  | 1    | SPRING                         |  |
| 12   | 58056190  | 1    | LINE                           |  |
| 13   | 31241060  | 1    | SELFLOCK NUT M6                |  |
| 14   | 58056191  | 1    | LINE                           |  |
| 15   | 58002538  | 1    | COMMAND LEVER                  |  |
| 16   | 56156874N | 1    | PANEL                          |  |
| 17   | 58056154  | 1    | RESTORING SPRING               | Utilizzato con motore GX200 - For the engine GX200 |
| 17   | 58056155  | 1    | RESTORING SPRING               | Utilizzato con motore GX270 - For the engine GX270 |
| 18   | 58056811  | 1    | LINE AND SHEATH                | For engines GX200/GX270                            |
| 18   | 58056812  | 1    | LINE AND SHEATH                | For the engine L70AA                               |
| 19   | 58056193  | 1    | TRASMISSIONE SBLOCC.PIANTONE   |  |
| 20   | 59256175  | 1    | HANDLE BAR                     |  |
| 21   | 31121020  | 1    | VITE TBCEI M8X40 ISO7380 10K Z |  |